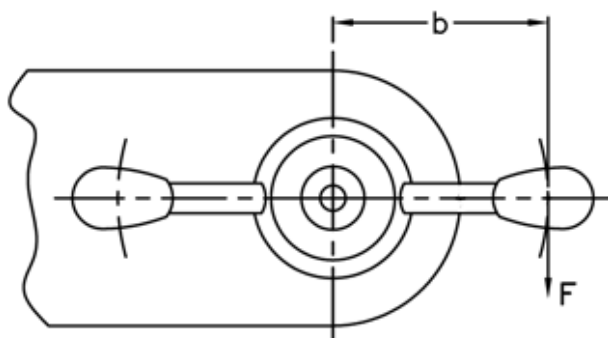
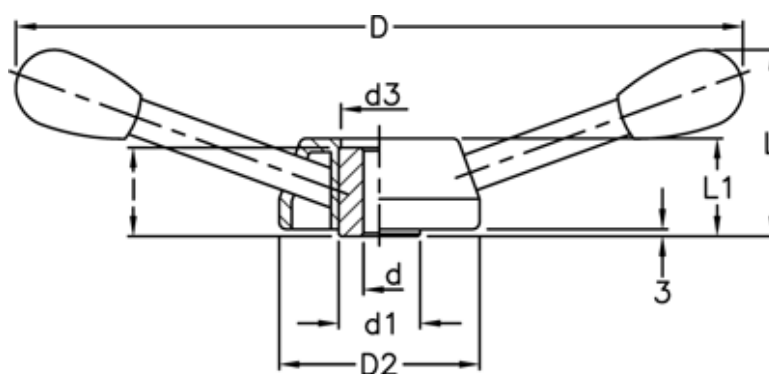


Article number: 2301065811
Description: E+G Handwheel
VBR.2/280

Measures



$$C[\text{N}\cdot\text{m}] = F[\text{N}] \cdot b[\text{m}]$$

C (N m) = 195
D = 274
d1 = 35
D2 = 86
d3 = 34
d H9 = 10
l = 38
L = 74

L1 = 42